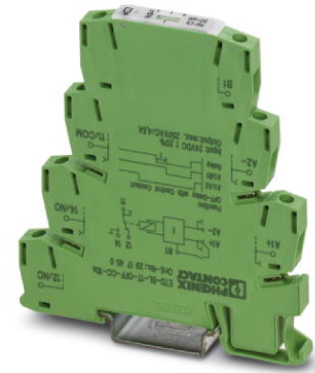


ETD-BL-1T-OFF-CC-300S

Order No.: 2917463

The figure shows the ETD-BL-1T-OFF-CC- 10S 2917450 version

<http://eshop.phoenixcontact.fi/phoenix/treeViewClick.do?UID=2917463>

Timer relay with off delay (with control contact) and an adjustable time range (3 s - 300 s), with screw connection

Commercial data	
EAN	4046356367776
Pack	1 pcs.
Customs tariff	85364900
Weight/Piece	0.051 kg

Product notes

WEEE/RoHS-compliant since:
03.12.2008

Please note that the data given here has been taken from the online catalog. For comprehensive information and data, please refer to the user documentation at <http://www.download.phoenixcontact.com>. The General Terms and Conditions of Use apply to Internet downloads.

Product description

Compact time relay in the 6.2 mm housing in order to control time sequences.

The time is set on the front side using a labeled knurled wheel which is sunk in order to prevent unintentional adjustment. The time can be set using a screwdriver (blade width 2.5 mm).

The compact time relays are available with varied time ranges as well as with screw and spring-cage connections.

Technical data

Coil side

Input voltage range	24 V DC (19,2 V DC ...30 V DC)
Function	OFF-CC: Off delay with control contact
Time setting range	3 s ... 300 s

Contact side

Contact type	1 floating PDT
Output fuse	6.3 A (fast-blow)

General data

Length	80 mm
Width	6.2 mm
Height	86 mm
Status display	LED green (POWER) Yellow LED (relay active)
Service life mechanical	Approx. 2×10^7 cycles
Ambient temperature (operation)	-20 °C ... 65 °C
Ambient temperature (storage/transport)	-25 °C ... 80 °C
Mounting position	Any
Assembly instructions	on TS 35 profile rail acc. to EN 60715
Color	green
Housing insulation material	Polyamide PA, self-extinguishing
Permissible humidity (operation)	15 % ... 85 %
Conformity	CE compliant
ATEX approval	Ex nAC IIC T4 X

Connection data

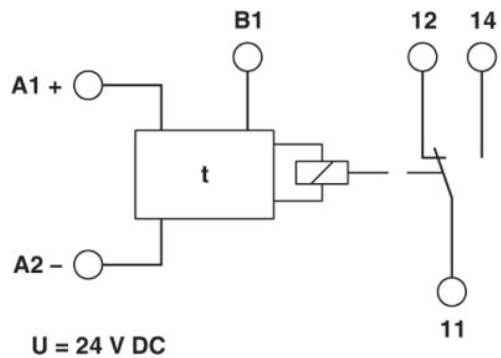
Conductor cross section stranded min.	0.14 mm ²
Conductor cross section stranded max.	2.5 mm ²
Conductor cross section solid min.	0.14 mm ²
Conductor cross section solid max.	2.5 mm ²
Stripping length	10 mm
Type of connection	Screw connection

Certificates

Certification Ex: PxC-EX

Drawings

Block diagram



Address

PHOENIX CONTACT UAB
Svitrigailos Str. 11b
03228 Vilnius, LITHUANIA
Phone +370 5 2106321
Fax +370 5 2106324
<http://www.phoenixcontact.lt>



Phoenix Contact Oy
Technical modifications reserved;